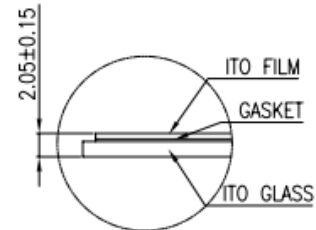


DETAIL A

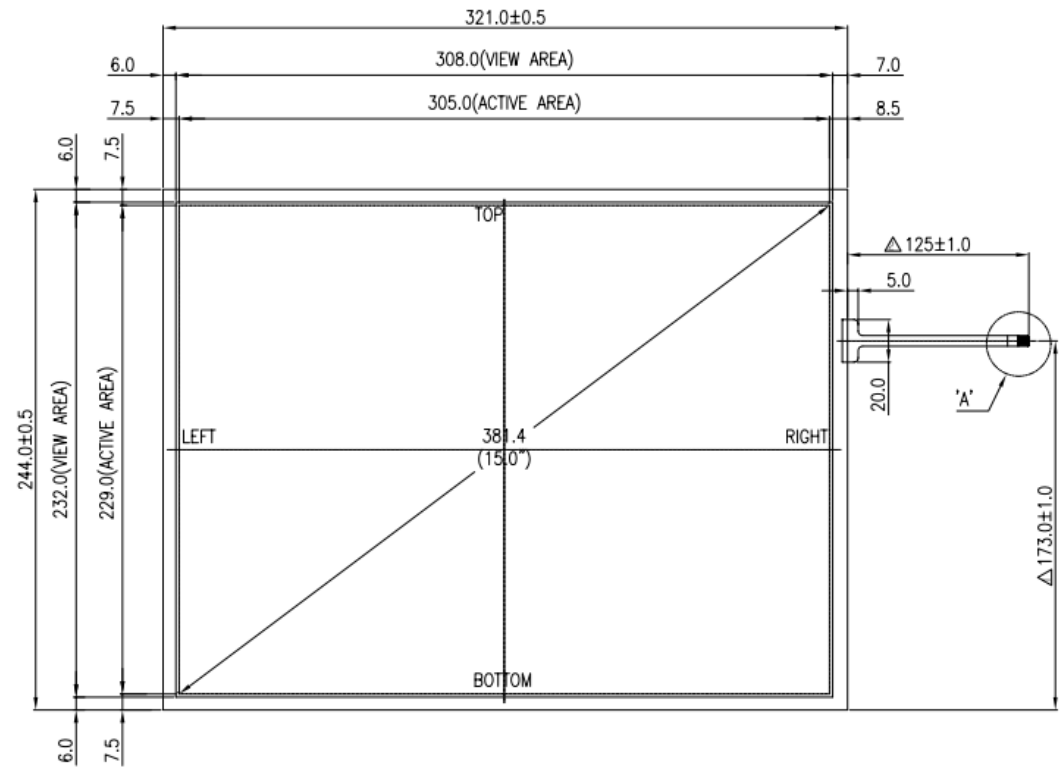


DETAIL B

NOTE

- 1) TYPE : NON GLARE TYPE
- 2) GLASS THICKNESS : 1.8t
- 3) FILM THICKNESS : 175/188 μ m
- 4) CONNECTOR : FPC
- 5) GENERAL TOLERANCE : ± 0.3

TERMINAL	
NO	SYMBOL
1	LEFT
2	BOTTOM
3	RIGHT
4	TOP



15.0" TOUCH PANEL

SCALE : NONE